

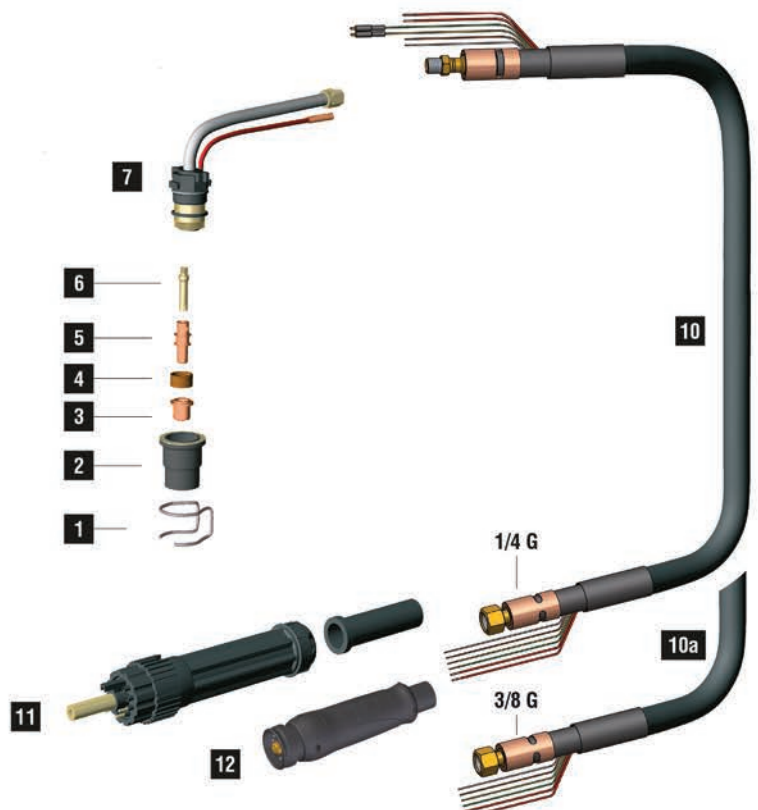
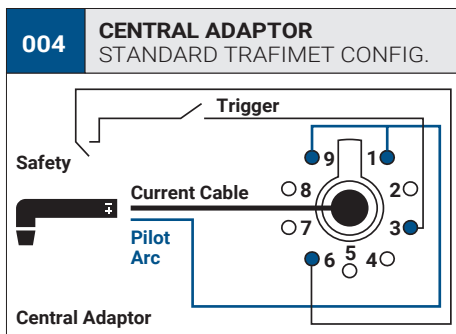
# EXPRES CUT A81

CE EN60974-7



CODE	↔		
PAA106M-000-WA3	6 m	19.7'	 1/4 GAS
PAA106M-071-WA3	6 m	19.7'	 3/8 GAS
PAA106M-004-WA3	6 m	19.7'	 CENTRAL 004
PAA106M-304-WA3	6 m	19.7'	 TRAFIMECTOR® 304

TECHNICAL DATA		
HF	EXPRES CUT A81	
1 m	0,6 kg	1,32 lb
V PEAK	500	
	5 bar	
	155 l/min	
X 60%	80 A	
X 100%	60 A	
	20-25mm	25/32" - 1"



	CODE		DESCRIPTION	Ø		↔		CONTACT		DRAG		GOUGING	REF	
1	CV0026		stand off guide			25,5 mm								2
1	CV0028		stand off guide			20,5 mm								10
1	CV0033		stand off guide			26 mm								2
1	CV0051		stand off guide	24,3 mm		31 mm								1
1	CV0201		ceramic stand off guide			30 mm								1
2	PC0115		nozzle			35,4 mm								2
3	PD0105-10		50 A	1,0 mm	.040"	13,3 mm								10
3	PD0105-12		80 A	1,2 mm	.047"	13,3 mm								10
3	PD0106-12		80 A	1,2 mm	.047"	25,8 mm								10
4	PE0107		diffuser			8,2 mm								2
5	PR0109		electrode			27 mm								10
5	PR0115		electrode			39,5 mm								10
6	FH0560		air tube			28 mm								1
6	FH0561		long air tube			40 mm								1

	CODE		DESCRIPTION	
7	EA0125		O-ring Ø 15,6 x 1,78 mm	10
7	PF0140		A81 torch head	1
8	TP0310		trigger kit	1
9	TP0303		handle kit	1
9	BW0424		spring joint	1
10	PH4003		coaxial cable - 6 m / 19.7' - 1/4 G (no pin)	1

	CODE		DESCRIPTION	
10a	PH4009		coaxial cable - 6 m / 19.7' - 3/8 G (no pin)	1
11	BW0147		cable support	10
11	FY0023		plasma central adaptor - 5 pins	1
12	FY0090		TRAFIMECTOR® central adaptor - torch side	1
	EA0254		pin extractor for central adaptor	1
	PT0202		male spring pins kit (5 pcs)	1

STANDARD CONTACT SHORT CONTACT LONG DRAG SHORT DRAG LONG GOUGING