

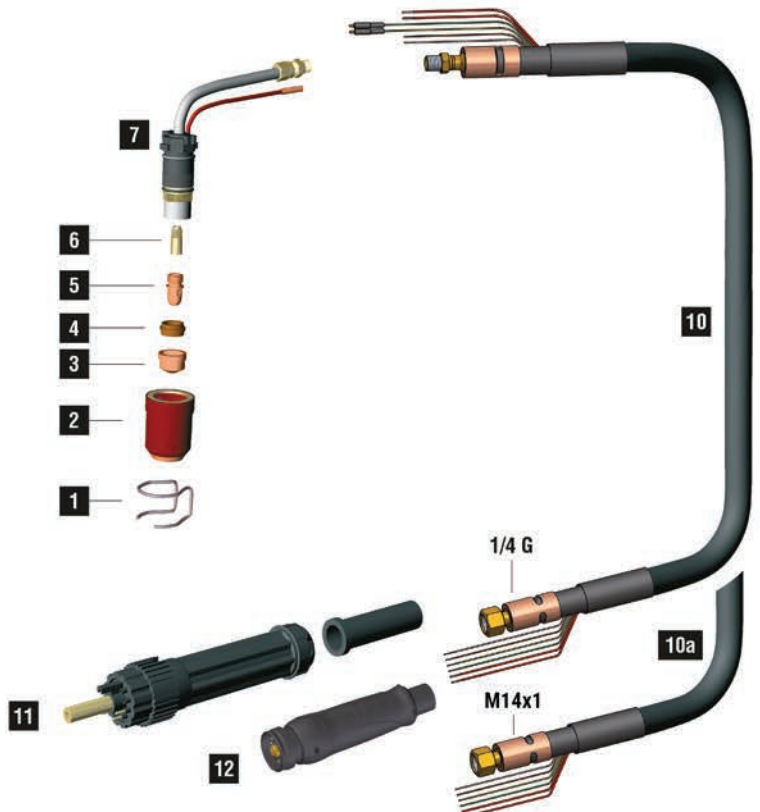
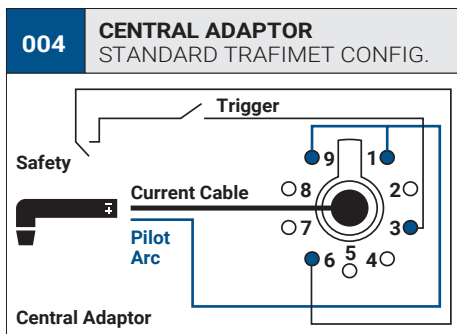
EXPRES CUT A101

CE EN60974-7



CODE	↔		
PAA206M-000-WA3	6 m	19.7'	 1/4 GAS
PAA206M-082-WA3	6 m	19.7'	 M14x1
PAA206M-004-WA3	6 m	19.7'	 CENTRAL 004
PAA206M-304-WA3	6 m	19.7'	 TRAFIMECTOR® 304

TECHNICAL DATA		
HF	EXPRES CUT A101	
	0,8 kg	1,76 lb
V PEAK	500	
	5 bar	
	180 l/min	
X 60%	100 A	
X 100%	75 A	
	25-30mm	1" - 1 3/16"



	CODE		DESCRIPTION	Ø	LENGTH	CONTACT		DRAG		GOUGING	REF	
1	CV0008		stand off guide		32,5 mm		•				51957	10
1	CV0009		stand off guide		38,6 mm				•			10
1	CV0011		stand off guide		23 mm	•					1386	10
1	CV0012		stand off guide		30 mm	•					1408	2
1	CV0014		stand off guide		30 mm	•						2
1	CV0021		stand off guide	32,8 mm	40,6 mm	•						1
1	CV0023		stand off guide		17,6 mm					•		10
1	CV0039		stand off guide		18,5 mm		•					2
2	FH0297		insulator for CV0039/ CV0023				•			•		10
2	PC0109		nozzle		44,1 mm	•						2
2	PC0111		long life nozzle		44,1 mm	•						2
2	PC0113		nozzle		42,3 mm		•		•			2
2	PC0130		long life nozzle		42,9 mm		•			•		2
3	PD0101-08		30 A	0,8 mm	.030"	13,7 mm	•	•				10
3	PD0101-11		60 A	1,1 mm	.043"	13,7 mm	•	•				10
3	PD0101-14		100 A	1,4 mm	.055"	13,7 mm	•	•				10
3	PD0101-17		130 A	1,7 mm	.066"	13,7 mm	•	•				10
3	PD0101-19		140 A	1,9 mm	.075"	13,7 mm	•	•				10
3	PD0101-30		gouging tip	3,0 mm	1/8"	13,7 mm					•	
3	PD0111-12		80 A	1,2 mm	.047"	35,8 mm		•				10
3	PD0117-14		100 A	1,4 mm	.055"	34,8 mm				•		10
3	PD0117-17		130 A	1,7 mm	.066"	34,8 mm				•		10
3	PD0117-19		140 A	1,9 mm	.075"	34,8 mm				•		10
4	PE0101		diffuser		7,8 mm		•			•		2
4	PE0103		diffuser		7,8 mm			•		•	•	2
5	PR0101		electrode		22 mm	7/8"	•	•			•	10
5	PR0116		electrode		43,1 mm			•		•		10
6	FH0562		air tube		21 mm		•	•	•	•		1

	CODE		DESCRIPTION	
7	EA0131		O-ring Ø 19 x 2 mm	10
7	PF0145		A101 torch head	1
8	TP0310		trigger kit	1
9	TP0303		handle kit	1
9	BW0424		spring joint	1
10	PH4008		coaxial cable - 6 m / 19.7' - 1/4 G (no pin)	1

	CODE		DESCRIPTION	
10a	PH4063		coaxial cable - 6 m / 19.7' - M14x1	1
11	BW0147		cable support	10
11	FY0023		plasma central adaptor - 5 pins	1
12	FY0090		TRAFIMECTOR® central adaptor - torch side	1
	EA0254		pin extractor for central adaptor	1
	PT0202		male spring pins kit (5 pcs)	1

STANDARD CONTACT SHORT CONTACT LONG DRAG SHORT DRAG LONG GOUGING