

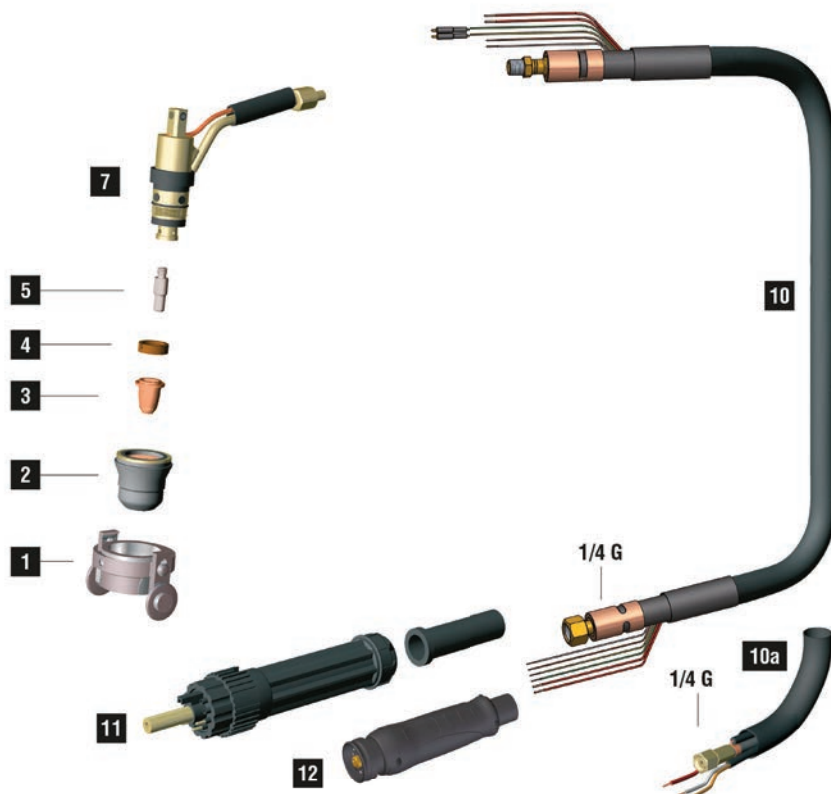
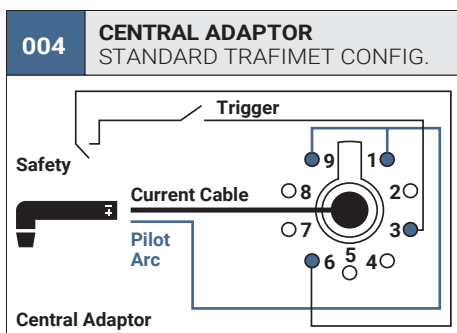
# EXPRES CUT S45

CE EN60974-7



CODE	↔		
PAS304M-000-WB3	4 m	12.5'	1/4 GAS Cable Assembly
PAS304M-004-WB3	4 m	19.7'	CENTRAL 004 Cable Assembly
PAS306M-000-WA3	6 m	19.7'	1/4 GAS Coaxial
PAS306M-004-WA3	6 m	19.7'	CENTRAL 004 Coaxial
PAS306M-304-WA3	6 m	19.7'	TRAFIMECTOR 304 Coaxial

TECHNICAL DATA		
NO HF	EXPRES CUT S45	
1 m	0,4 kg	0,88 lb
V PEAK	500	
	5 bar	
	115 l/min	
X 60%	40 A	
	8-12 mm	5/16" - 15/32"



	CODE		Description	Ø		↔		CONTACT		DRAG		GOUGING	REF		
1	CV0010		stand off guide			18,5 mm							743.0149 0618. 0408-2053	10	
1	CV0024		stand off guide	23,5 mm		33 mm								1	
2	PC0116		nozzle (no ring)			28 mm							60389	4	
3	PD0102-08		30 A	0,8 mm	.030"	13,3 mm								10	
3	PD0102-10		50 A	1,0 mm	.040"	13,3 mm									10
3	PD0103-09		40 A	0,9 mm	.035"	25,8 mm								10	
3	PD0103-65		20 A	0,65 mm	.025"	25,8 mm									10
3	PD0116-06		20 A	0,6 mm	.023"	17,3 mm								10	
3	PD0116-08		30 A	0,8 mm	.030"	17,3 mm									10
3	PD0116-09		40 A	0,9 mm	.035"	17,3 mm									10
4	PE0106		Swirl ring			4,6 mm								2	
5	PR0105		electrode			17,8 mm								10	
5	PR0106		electrode			30,5 mm							60028	10	
5	PR0110		electrode			21,8 mm								10	

	CODE		Description	
7	EA0330		o-ring	10
7	PF0127		S25K - S35K - S25 - S45 torch head	1
8	TP0310		trigger kit	1
9	TP0301		handle kit	1
9	BW0424		spring joint	1
10	PH4027		coaxial cable - 6 m / 19.7' - 1/4 G (no pin)	1

	CODE		Description	
10a	PH4127		cable assembly - 4 m / 12' - 1/4 G	1
11	BW0147		cable support	10
11	FY0023		plasma central adaptor - 5 pins	1
12	FY0090		TRAFIMECTOR® central adaptor - torch side	1
	EA0254		pin extractor for central adaptor	1
	PT0202		male spring pins kit (5 pcs)	1

STANDARD CONTACT SHORT CONTACT LONG DRAG SHORT DRAG LONG GOUGING