

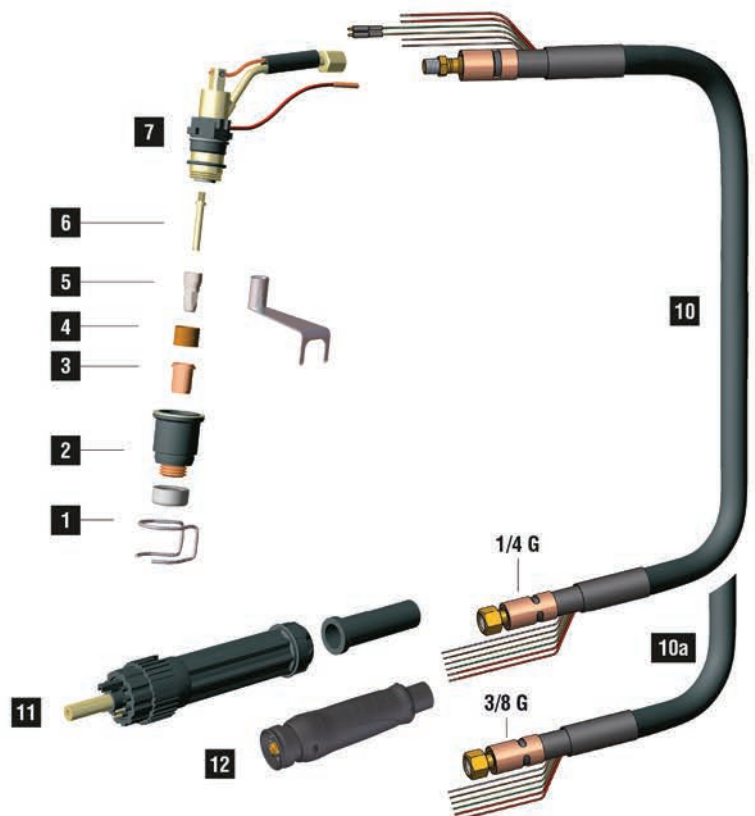
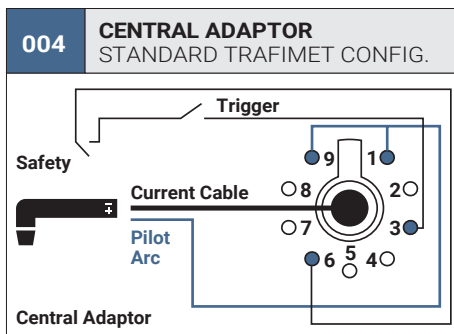
EXPRES CUT S75

CE EN60974-7



CODE	↔		
PAS506M-000-WA3	6 m	19.7'	 1/4 GAS
PAS506M-071-WA3	6 m	19.7'	 3/8 GAS
PAS506M-004-WA3	6 m	19.7'	 CENTRAL 004
PAS506M-304-WA3	6 m	19.7'	 TRAFIMECTOR® 304

TECHNICAL DATA		
NO HF	EXPRES CUT S75	
1 m	0,7 kg	1,54 lb
PEAK	500	
	5 bar	
	150 l/min	
X 60%	70 A	
X 100%	50 A	
	18-23mm	23/32" - 29/32"



	CODE		Ø		CONTACT		DRAG		GOUGING	REF	
1	CV0026				25,5 mm						2
1	CV0028				20,5 mm						10
1	CV0033				26 mm						2
1	CV0051		24,3 mm		31 mm						1
2	CV0076				9,7 mm						10
2	PC0114		nozzle (CV0076 included)		39,5 mm						2
3	PD0114-10		50 A	1,0 mm .040"	18,6 mm						10
3	PD0114-12		70 A	1,2 mm .047"	18,6 mm						10
3	PD0118-10		50 A	1,0 mm .040"	31,1 mm						10
4	PE0112		diffuser		11,5 mm						2
5	CV0080		tool for wear parts								1
5	PR0117		electrode		23,7 mm						10
5	PR0119		electrode		36,2 mm						10
6	FH0647		air tube		36 mm						10

	CODE		
7	EA0223		O-ring Ø 18x1 mm 10
7	PF0135		S75 torch head 1
8	TP0310		trigger kit 1
9	TP0303		handle kit 1
9	BW0424		spring joint 1
10	PH4003		coaxial cable - 6 m / 19.7' - 1/4 G (no pin) 1

	CODE		
10a	PH4009		coaxial cable - 6 m / 19.7' - 3/8 G (no pin) 1
11	BW0147		cable support 10
11	FY0023		plasma central adaptor - 5 pins 1
12	FY0090		TRAFIMECTOR® central adaptor - torch side 1
	EA0254		pin extractor for central adaptor 1
	PT0202		male spring pins kit (5 pcs) 1

STANDARD CONTACT SHORT CONTACT LONG DRAG SHORT DRAG LONG GOUGING