

# EXPRES CUT S125

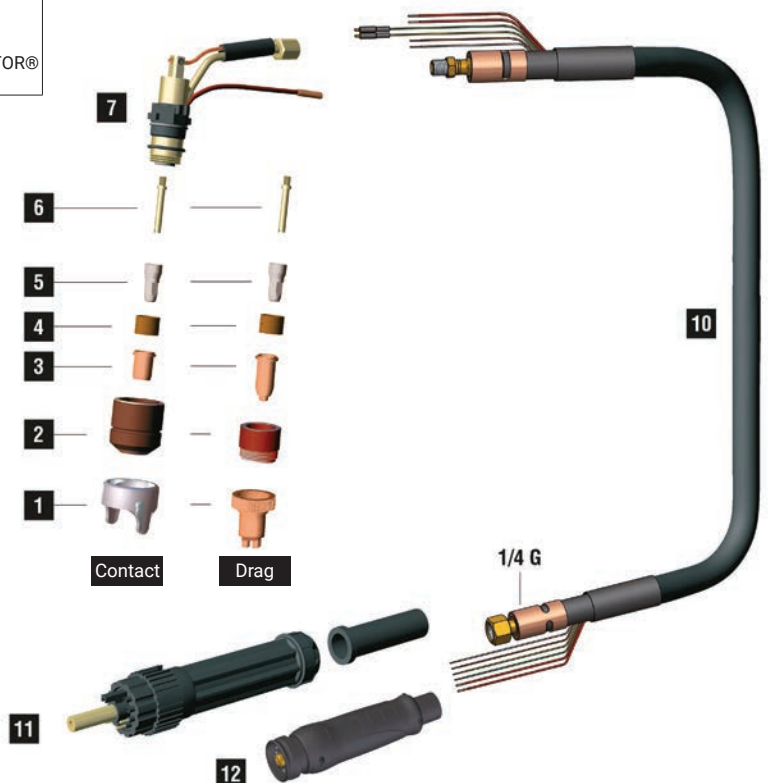
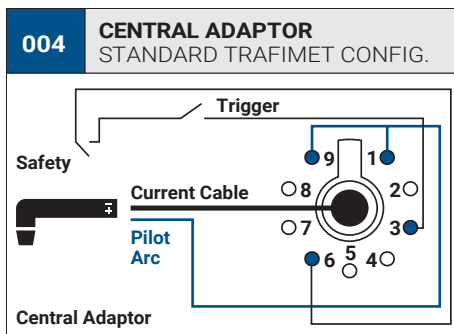
CE EN60974-7



CONTACT Consumables	↔		
PAS706M-000-WA3	6 m	19.7'	1/4 GAS
PAS706M-004-WA3	6 m	19.7'	CENTRAL 004
PAS706M-304-WA3	6 m	19.7'	TRAFIMECTOR® 304

TECHNICAL DATA		
NO HF	EXPRES CUT S125	
1 m	0,7 kg	1,54 lb
PEAK	500	
	5 bar	
	180 l/min	
X 60%	120 A	
X 100%	90 A	
	30-35mm	1"3/16 - 1"3/8

DRAG Consumables	↔		
PAS706D-000-WA3	6 m	19.7'	1/4 GAS
PAS706D-004-WA3	6 m	19.7'	CENTRAL 004
PAS706D-304-WA3	6 m	19.7'	TRAFIMECTOR® 304



**CONSUMABLES FOR CUTTING (CONTACT)**

	CODE		Description	Ø		↔		CONTACT		DRAG		GOUGING	REF	
1	CV0229		stand off guide			35,2 mm								2
2	PC0179		long life nozzle			39,5 mm								2
3	PD0179-13		80 A	1,3 mm	.051"	20 mm								10
3	PD0179-14		100 A	1,4 mm	.055"	20 mm								10
3	PD0179-15		120 A	1,5 mm	.059"	20 mm								10
4	PE0179		diffuser			12,6 mm								2
5	PR0179		electrode			24,6 mm								10
6	FH0979		air tube			37 mm								10

**CONSUMABLES FOR DRAG**

	CODE		Description	Ø		↔		CONTACT		DRAG		GOUGING	REF	
1	CV0279		stand off guide			37,9 mm								2
2	PC0279		long life nozzle			33 mm								2
3	PD0279-13		80 A	1,3 mm	.051"	29 mm								10
3	PD0279-15		120 A	1,5 mm	.059"	29 mm								10
4	PE0179		diffuser			12,6 mm								2
5	PR0279		electrode			33,6 mm								10
6	FH0980		long air tube			46 mm								10

	CODE		Description	
7	EA0223		O-ring Ø 18x1 mm	10
7	PF0138		S125 torch head	1
8	TP0310		trigger kit	1
9	TP0303		handle kit	1
9	BW0424		spring joint	1

	CODE		Description	
10	PH4003		coaxial cable - 6 m / 19.7' - 1/4 G (no pin)	1
11	BW0147		cable support	10
11	FY0023		plasma central adaptor - 5 pins	1
12	FY0090		TRAFIMECTOR® central adaptor - torch side	1
	EA0254		pin extractor for central adaptor	1
	PT0202		male spring pins kit (5 pcs)	1

STANDARD



CONTACT SHORT



CONTACT LONG



DRAG SHORT



DRAG LONG



GOUGING